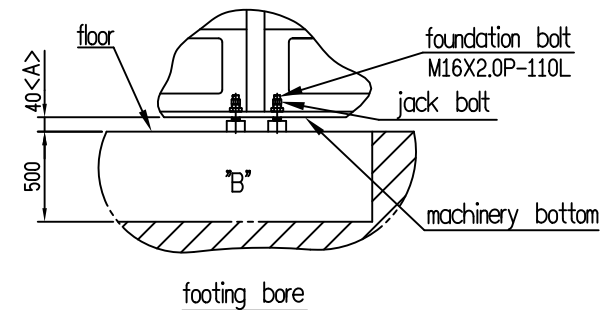
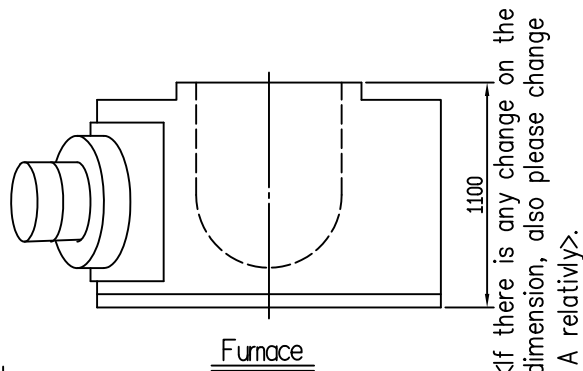
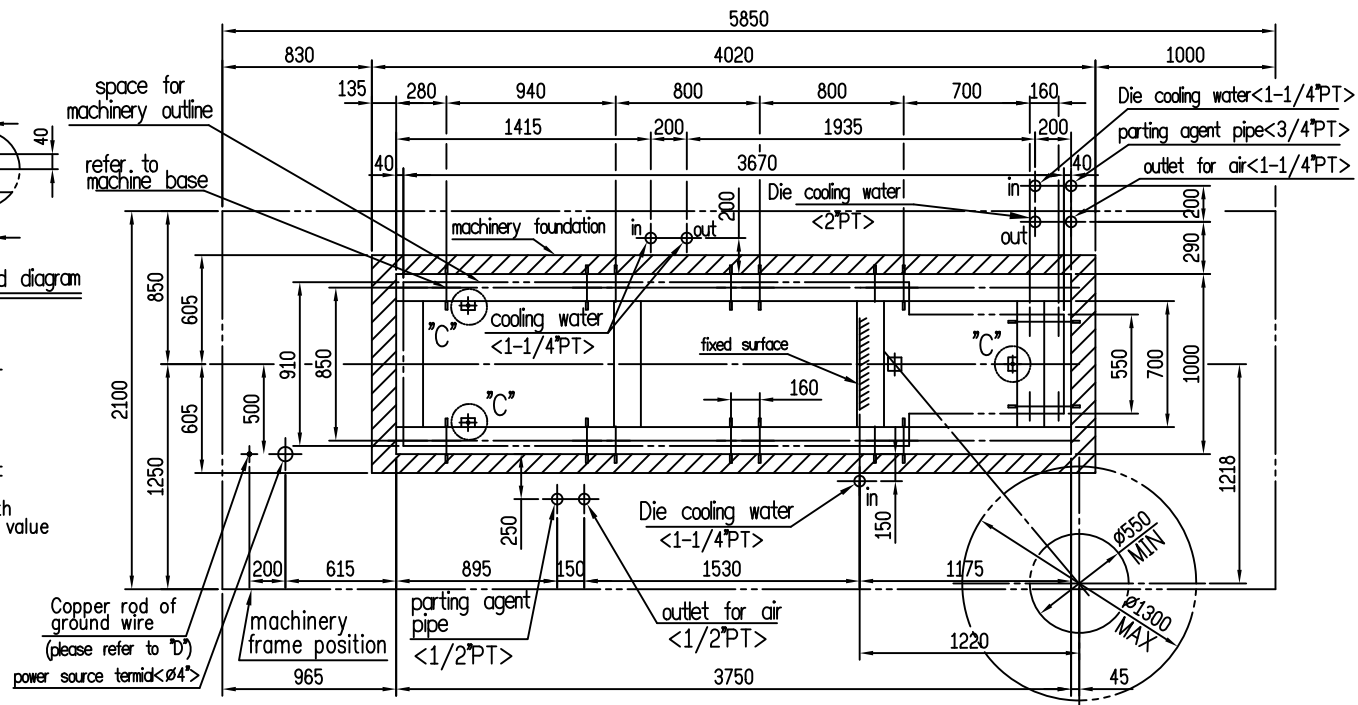
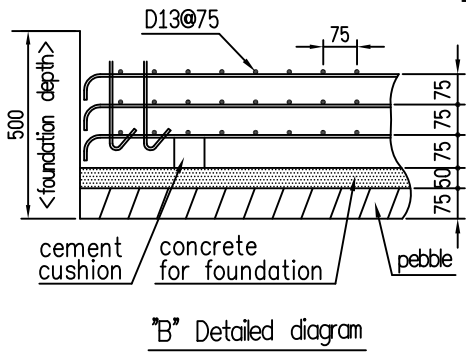
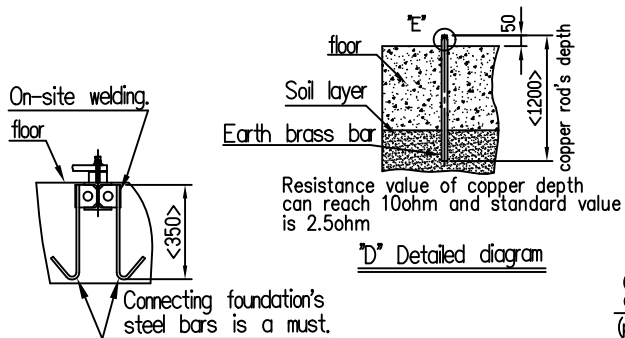
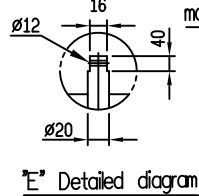


C detailed drawings can be found in 3 areas.  
<Horizontal adjustment for H-shape beam>



Remark:

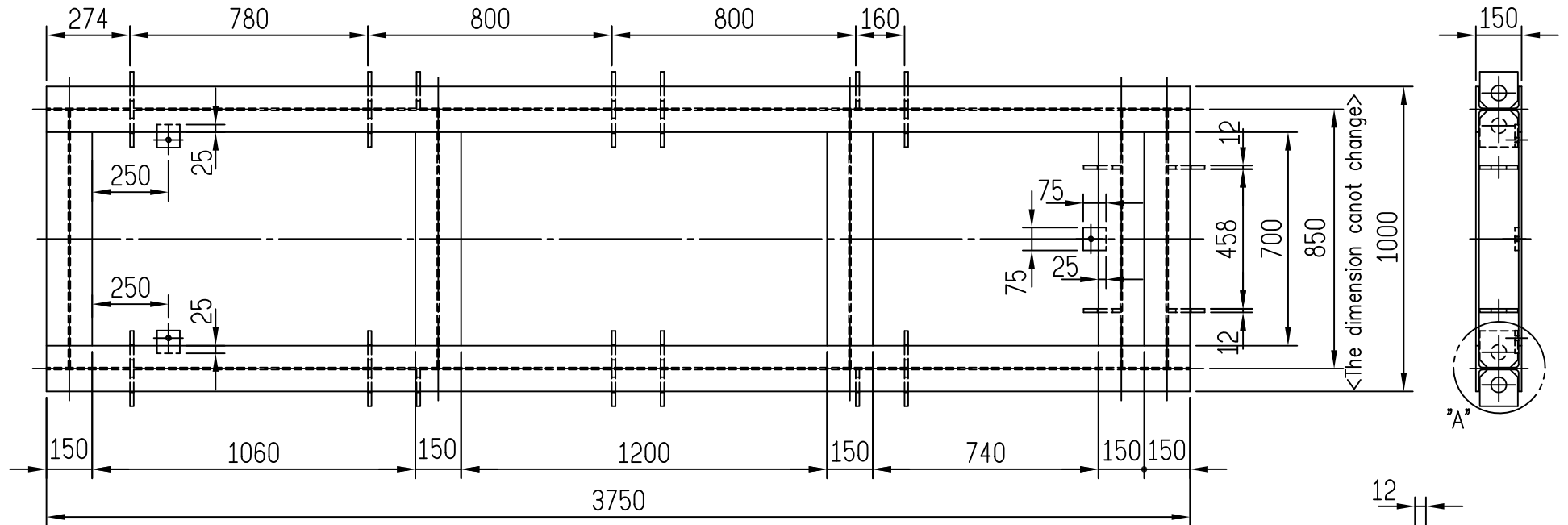
<01>.Tie up steel bars, put "H steel" on, use level equipment to correct foundation horizontal.

<02>.Correction be finished, weld "H steel" on foundation and keep movability and looseness form pouring concrete.

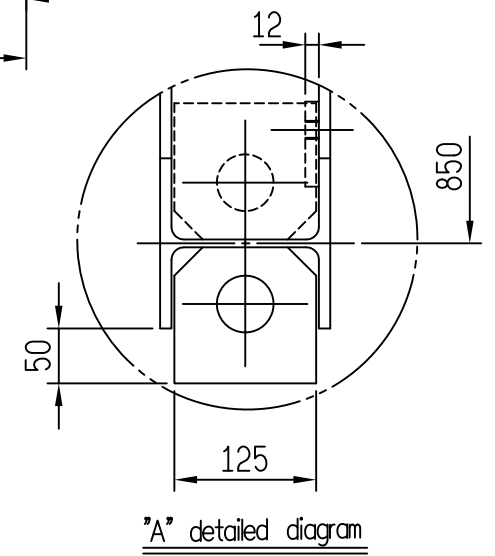
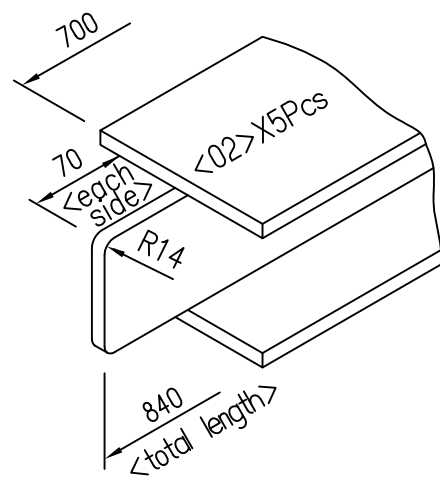
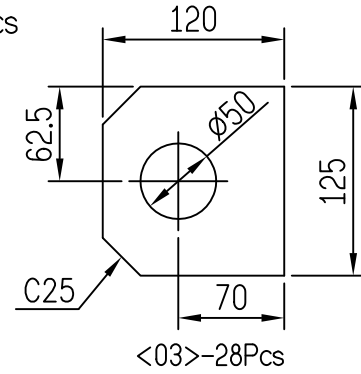
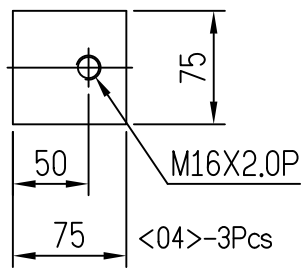
<03>.Fixed foundation base is "150X150 H steel".

<04>.Concrete ratio :cement: sand: gravel :1:2:3.

Applied sect.	Machinery installation
ON.	L1CPDEA152



- Material:  
 <01> 150X150 H-steel X3750LX2Pcs.  
 <02> 150X150 H-steel X840LX5Pcs.  
 <03> 12mm thickX125X120-28Pcs  
 <04> 12mm thickX75X75-3Pcs



Remark: If H-steel specification be change, that 700L must be change.  
 <Because dimension 850L don't change>

Applied sect.	H steel frame soldering drawing for M/C foundation
NO.	L1CPDEBASE1